

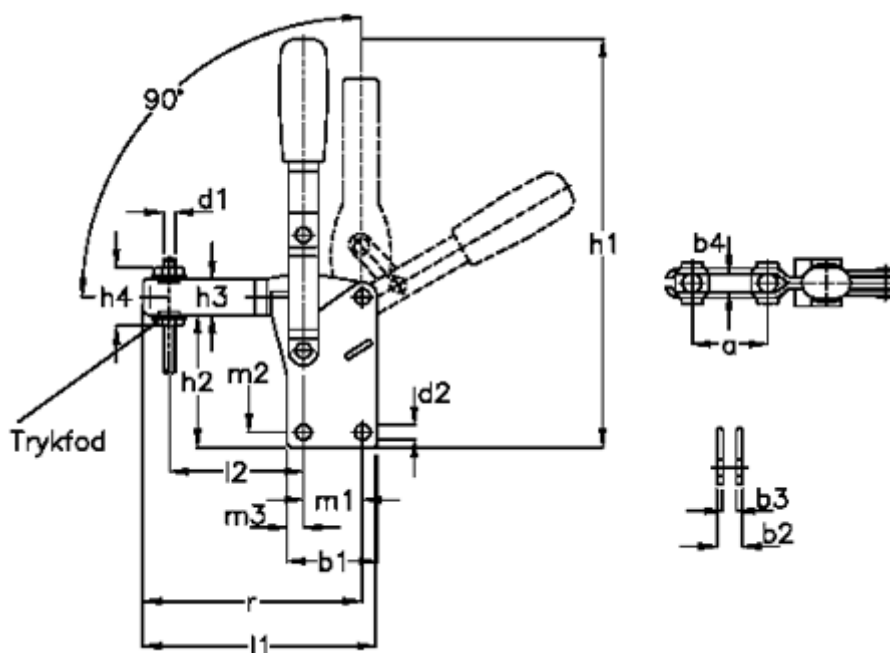
Data Sheet



Article number: 20810175BNI

Description: E+G Klee vertical clamp GN 810.1-75-B-NI
forked clamping arm

Measures



a = 20	h2 = 31	m3 = 7.0
b1 = 29	h3 = 11	r = 62.5
b2 = 8	h4 = 22.5	Size = 70
b3 = 4	Holding force N = 900	
b4 = 5.5	l1 = 67	
d1 = M5	l2 = 38	
d2 = 4.5	m1 = 15	
h1 = 109	m2 = 5	